

## Description

*HCS DataLight Modular Patch Panel series provides a full range of modular fiber optic patch panels and fiber optic distribution points.*

*The 19" rack-mount panels are equipped with telescopic side rails, providing easy and fast access inside panel.*

*The Panel Interface contain 24 Ports for SC Duplex adapters.*

*HCS DataLight patch panels are supported by the Century™ Lifetime Warranty and by the DoubleSafe™ QA program as a part of complete HES Cabling System.*

*The HCS Logo and the DataLight Trademark ensure long lasting high-performance and full support of all present and emerging applications*

## Applications

- ☑ Fiberoptic backbone termination in data closets
- ☑ FiberOptic distribution
- ☑ FiberOptic horizontal termination
- ☑ Fiber to desk applications
- ☑ Central Office equipment
- ☑ Data-Centers

## Qualifications and Approvals

HCS DataLight panels are supported by the Century™ Lifetime Warranty and by the DoubleSafe™ QA program as a part of complete HCS cabling system and comply to the following standards:

### EMC

- ☑ EN-55022, Class B (Europe)
- ☑ FCC Part 15, Subpart J, Class A (USA)

### SAFETY

- ☑ UL94 V-0 rated plastic materials
- ☑ Zero-halogen in LSOH constructions.

## Benefits & Features

- ➔ Exceptional material properties and design - Providing a unique Century™ Lifetime Warranty.
- ➔ Integrated full installation accessories (supplied free of charge), including clip organizers and T-raps - Providing a simple and elegant cable termination and identification.
- ➔ High density 1U 24 port design - Providing a compact panel and economical space use.
- ➔ Easy access into the panel via side telescopic rails - Providing easy and comfortable cable management.
- ➔ All panels available with optional direct splice termination or FastLight™ termination - Providing a larger product range and flexibility
- ➔ Detailed installation manual in English and Turkish - Providing clear and comprehensive instructions.
- ➔ Optional back-side cable management with clip organizer and trap connection - Providing simple and easy cable handling.
- ➔ Robust and installer-friendly design - Providing reduced installation and operating costs.
- ➔ Unique DoubleSafe™ Quality Assurance Program - Providing lowest rejection rate available.

# Fiber Optic 19" Patch Panel 24 ports for SC Duplex Adapters



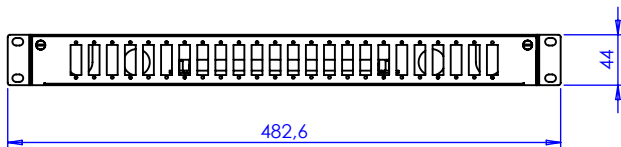
## GENERAL PROPERTIES

Material of Construction	Steel, Aluminum.
Paint and Color	Powder paint finish, Black (Gray available upon request)
Port Capacity	24 ports SC Duplex type
Environmental Conditions	-40 to +60C at 0-90% RH (Non condensing)
Packaging	One unit per box.
Storage Temperature	-20 to +80C

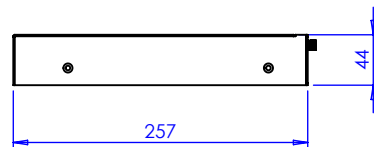
## ORDERING INFORMATION

HCS P/N	Description	Connectors	Ports	Units	Size mm
PFO-02422-1U	DataLight 19", 24 port FO Patch Panel (for SC Duplex Type Adapters)	SC Duplex	24	1u	44x482.6x257

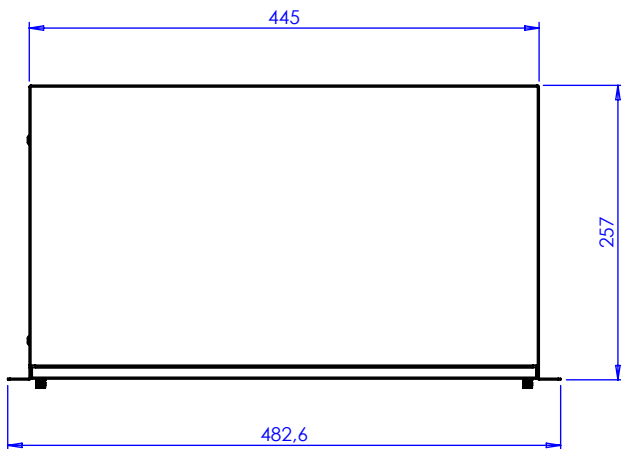
FRONT VIEW



SIDE VIEW



TOP VIEW



REAR VIEW

